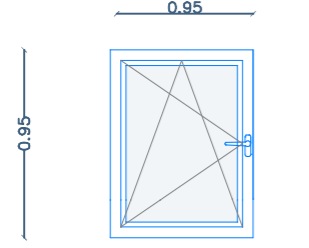
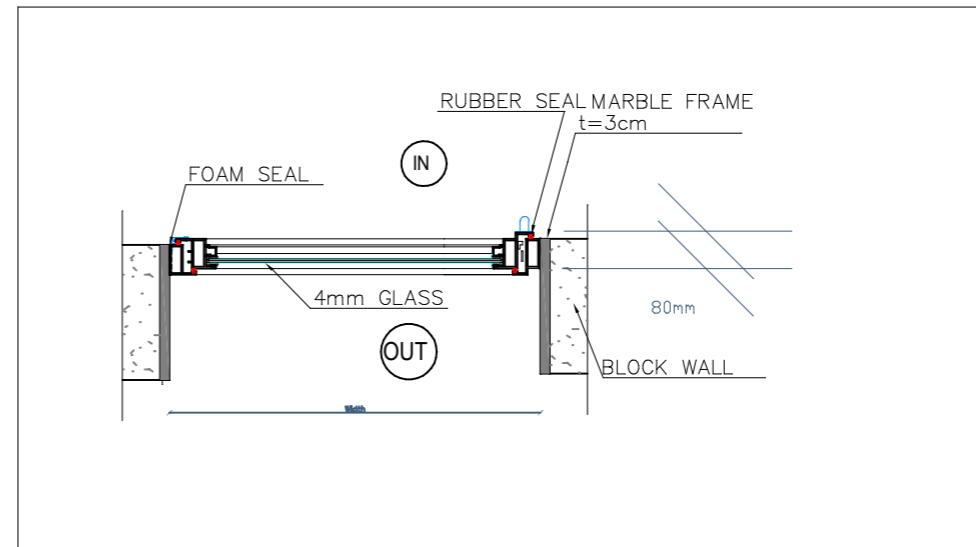


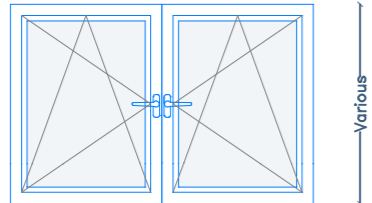
NOTES:

 <p>VIEW FROM INSIDE</p>	WINDOW-PVC-SINGLE	Width: Various	Quantity: 1
		Height: Various	
		MATERIAL: PVC	
		FRAME PVC PAINTED 1 SIDE SWING	

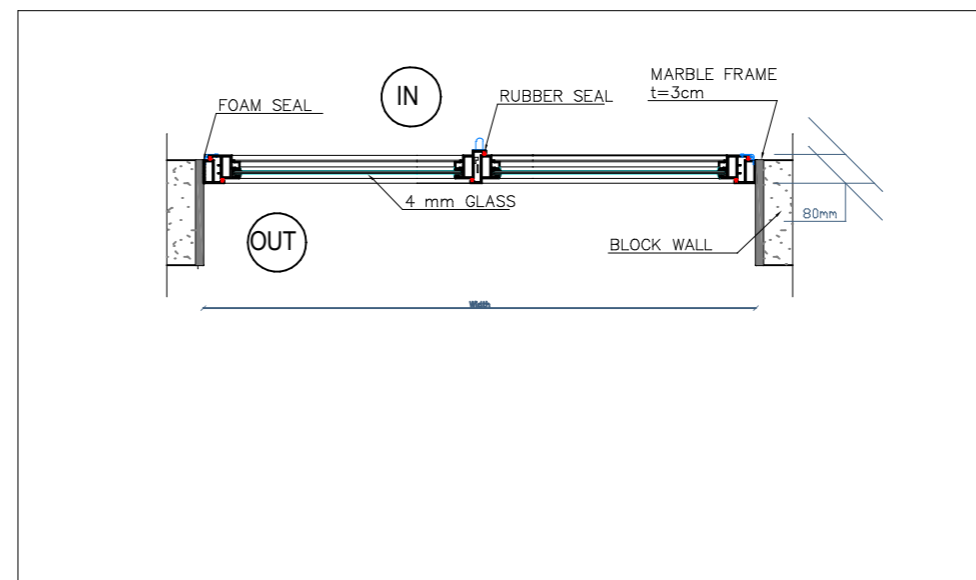
TYPICAL PVC-ONE LEAF WINDOW



TYPICAL PVC-ONE LEAF WINDOW
DETAILED SECTION

 <p>VIEW FROM INSIDE</p>	WINDOW-PVC-Double	Width: Various	Quantity: 1
		Height: Various	
		MATERIAL: PVC	
		FRAME PVC PAINTED Double leaf Window	

TYPICAL PVC-DOUBLE LEAF WINDOW



TYPICAL PVC-DOUBLE LEAF WINDOW
DETAILED SECTION

PROJECT:

REHABILITATION OF SUBSTANDARD HOUSING UNITS

DRAWING TITLE

PVC WINDOWS

PREPARED BY:

SHELTER PROGRAM

SCALE: N.T.S

SIZE: A3

DATE: FEB/2023

DRAWING NUMBER

3 OF5

REVISION

00