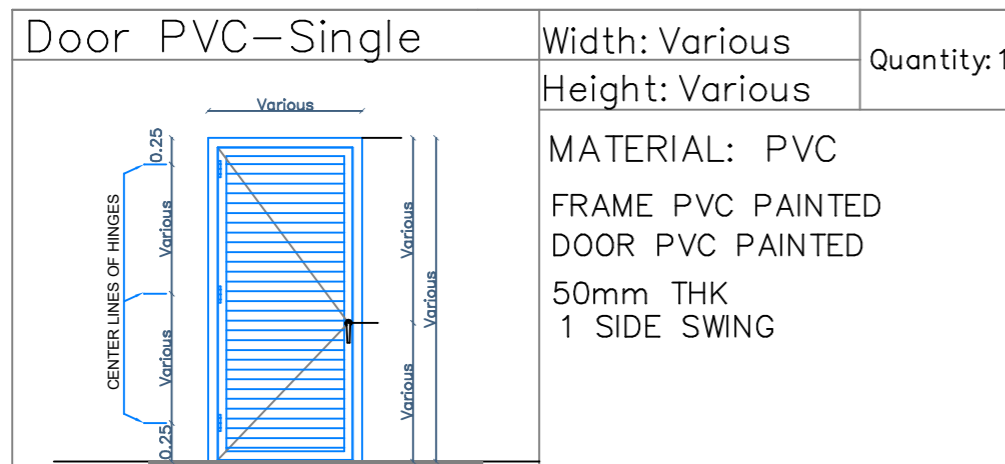
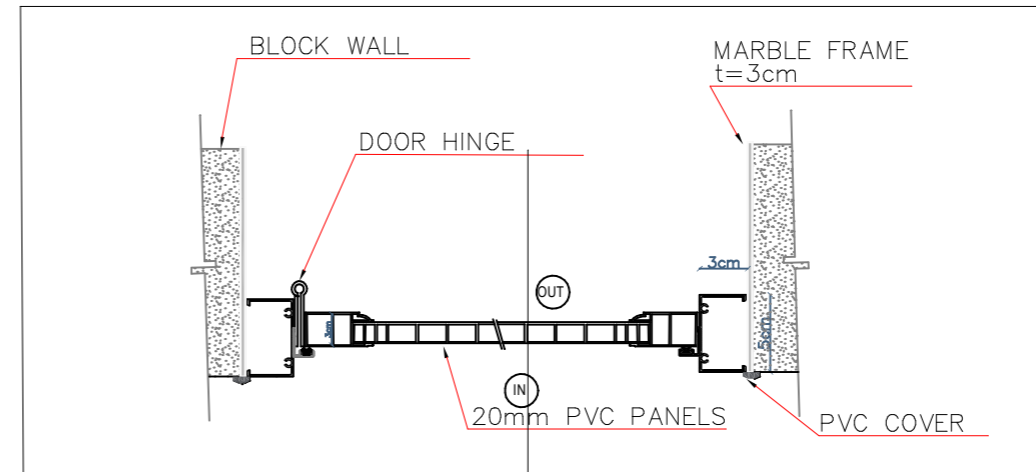


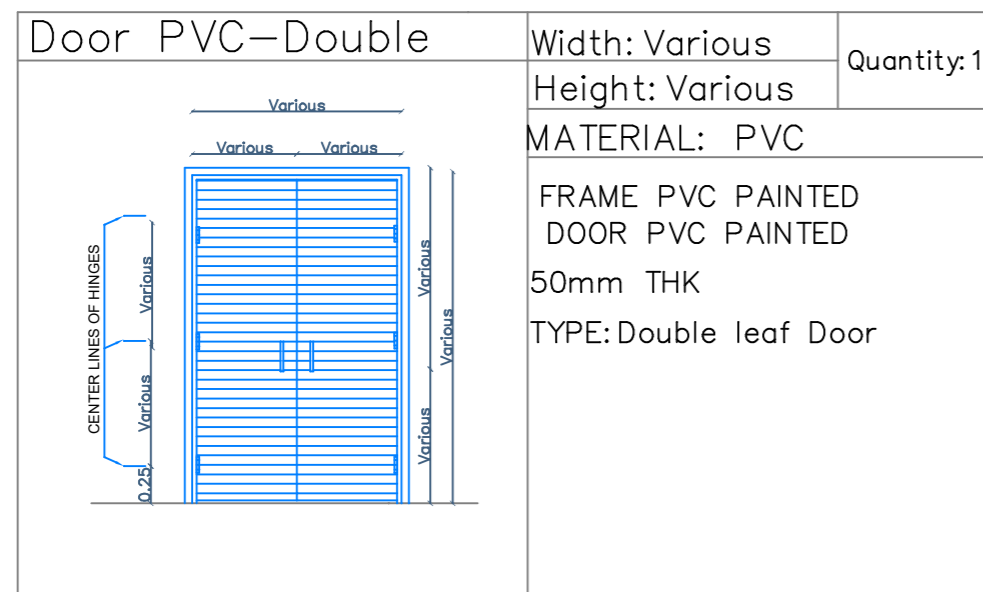
NOTES:



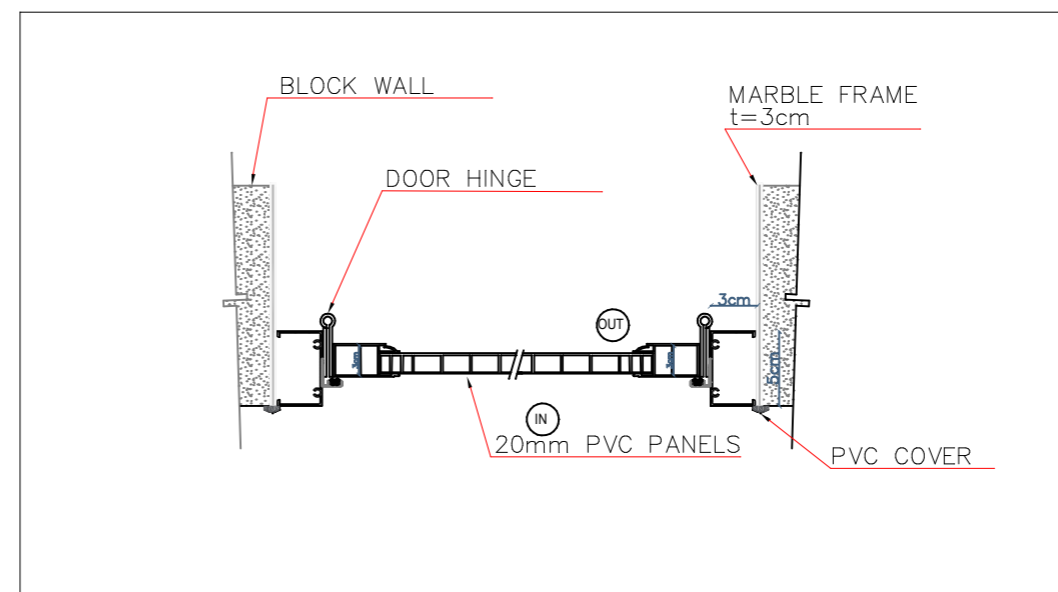
TYPICAL PVC-ONE LEAF DOOR



TYPICAL PVC-ONE LEAF DOOR  
DETAILED SECTION



TYPICAL PVC-DOUBLE LEAF DOOR



TYPICAL PVC-DOUBLE LEAF DOOR  
DETAILED SECTION

PROJECT:  
REHABILITATION OF SUBSTANDARD HOUSING  
UNITS

DRAWING TITLE  
PVC DOORS

PREPARED BY:  
SHELTER PROGRAM

SCALE: N.T.S

SIZE: A3

DATE: FEB/2023

DRAWING NUMBER

1 OF5

REVISION

00